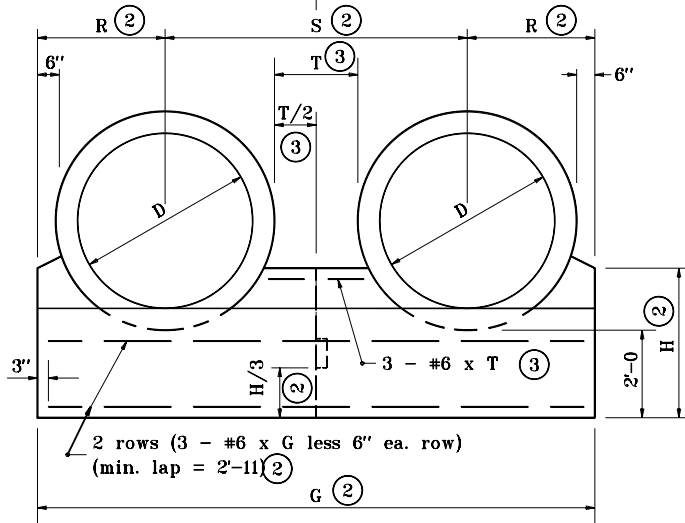
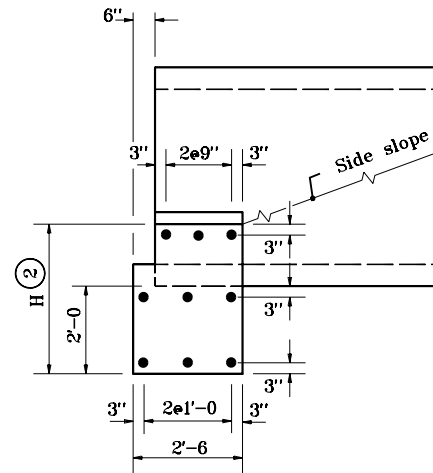


④ 3' x 8' x H/3 keyway constr. jt.

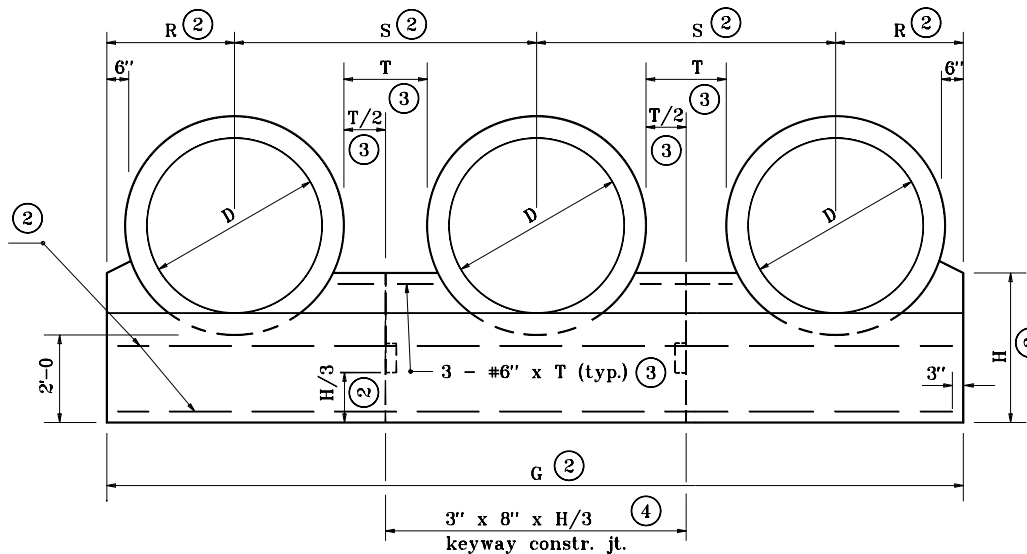


**ANCHOR FOR DOUBLE PIPE INSTALLATION  
FRONT ELEVATION**



**SECTION THROUGH  
ANCHOR**

2 rows (3 - #6 x G less 6" ea. row)  
(min. lap = 2'-11)

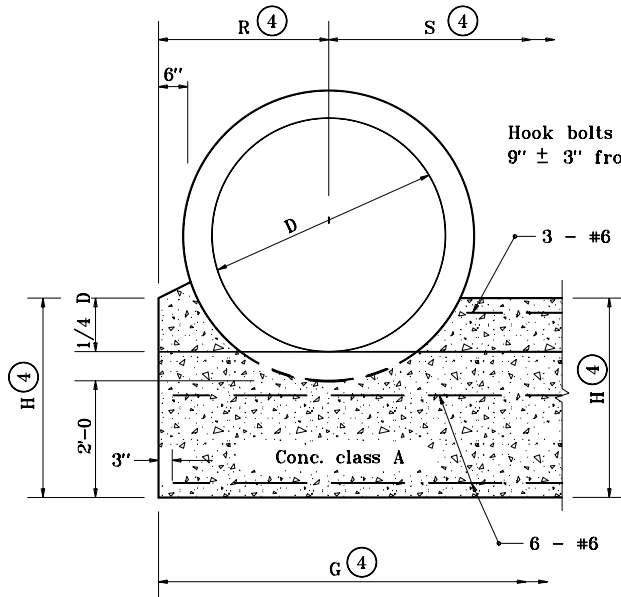


**ANCHOR FOR TRIPLE PIPE INSTALLATION  
FRONT ELEVATION**

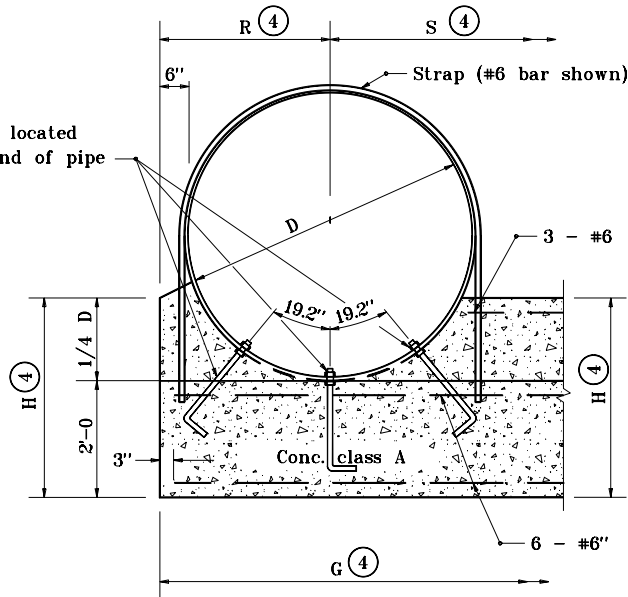
**GENERAL NOTES**

1. Circular reinforced concrete pipes shown. For details of other pipe alternates, see partial elevations on Standard Drawing E 715-MPCA-02.
- ② For dimension enter chart on Standard Drawing E 715-ANCH-01 with known dimension D.
- ③ T = Clear distance between pipes.  
For D less than 48", T = 2'-0.  
For D of 48" to 96", T = 1/2 D  
For D greater than 96", T = 4'-0.
- ④ No joint required if G is less than or equal to 30'. One joint required if G is greater than 30' but less than or equal to 42'. Two joints required if G is greater than 42'.

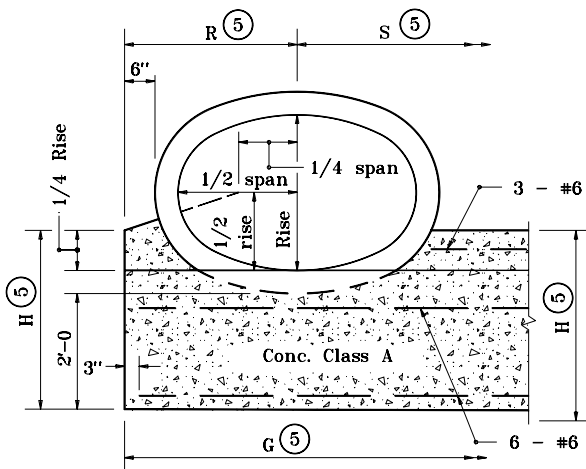
INDIANA DEPARTMENT OF TRANSPORTATION	
<b>MULTIPLE PIPE CONCRETE ANCHORS</b>	
JANUARY 1998	
STANDARD DRAWING NO. <b>E 715-MPCA-01</b>	
DETAILS PLACED IN THIS FORMAT 7-27-99	
	/s/ Anthony L. Uremovich 7-27-99 DESIGN STANDARDS ENGINEER DATE
	/s/ Firooz Zandi 7-27-99 CHIEF HIGHWAY ENGINEER DATE
DESIGN STANDARDS ENGINEER	ORIGINALLY APPROVED 1-02-98



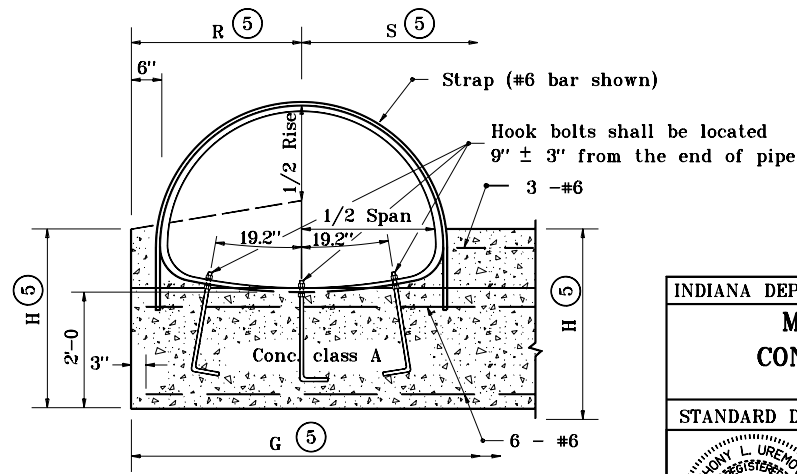
**ANCHOR FOR  
REINFORCED CONCRETE PIPE  
PARTIAL ELEVATION**



**ANCHOR FOR  
CORRUGATED METAL PIPE  
PARTIAL ELEVATION**



**ANCHOR FOR  
REINFORCED CONCRETE HORIZONTAL ELLIPTICAL PIPE  
PARTIAL ELEVATION**



**ANCHOR FOR CORRUGATED METAL PIPE-ARCH  
PARTIAL ELEVATION**

**GENERAL NOTES**

1. Anchor straps shall be used at both upstream and downstream ends of all C.M. pipes with a diameter or span of 42" or greater.
2. Hook bolts and anchor straps shall be used for all C.M. pipes with a diameter or span of 84" or greater.
3. Riprap shall be placed at the ends of pipe structures when shown on the plans.
- ④ For dimension, enter chart on Standard Drawing E 715-ANCH-01 with known dimension D.
- ⑤ For dimension, enter chart on Standard Drawing E 715-ANCH-02 with known span and rise.

**LEGEND**

C.M. = Corrugated Metal

INDIANA DEPARTMENT OF TRANSPORTATION	
<b>MULTIPLE PIPE CONCRETE ANCHOR</b>	
JANUARY 1998	
<b>STANDARD DRAWING NO. E 715-MPCA-02</b>	
DETAILS PLACED IN THIS FORMAT 7-27-99	
	/s/ Anthony L. Uremovich 7-27-99 DESIGN STANDARDS ENGINEER DATE
	/s/ Firooz Zandi 7-27-99 CHIEF HIGHWAY ENGINEER DATE
	DESIGN STANDARDS ENGINEER ORIGINALLY APPROVED 1-02-98